



*Our Focus is in Plastics*

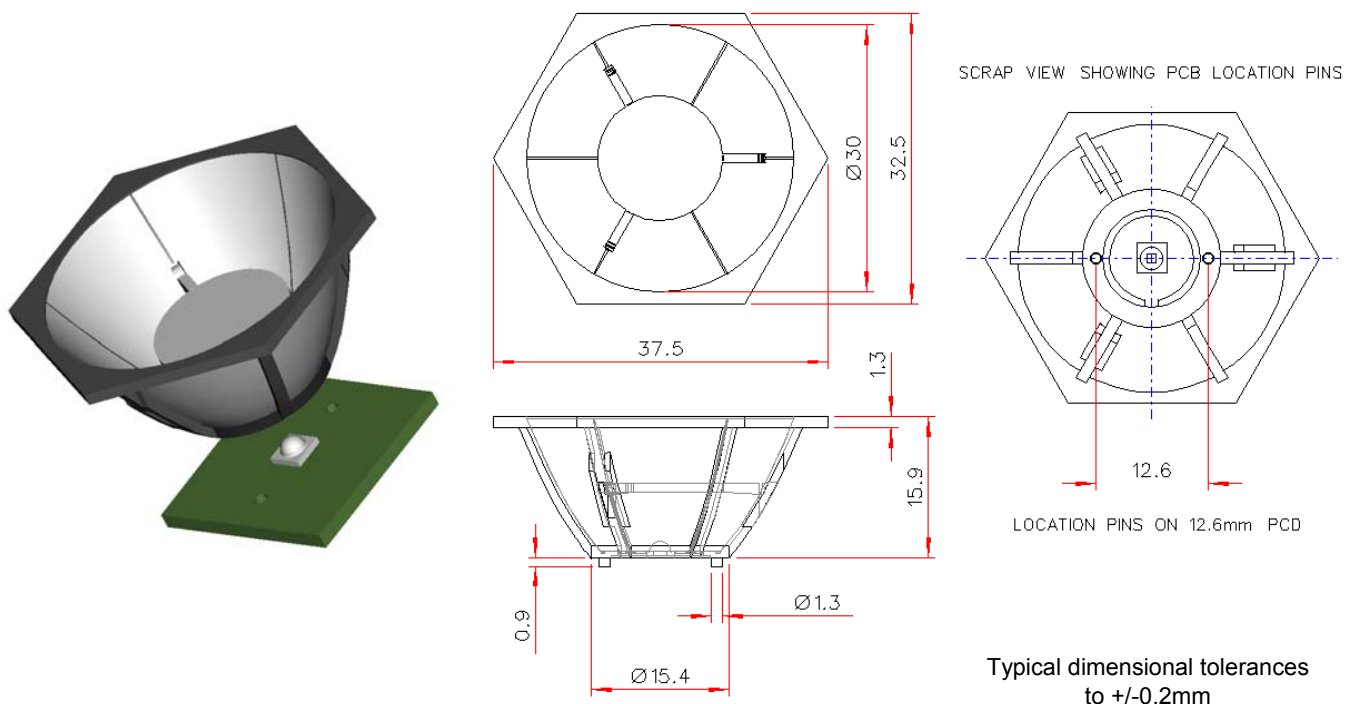
## 30mm 2.5 Deg Reflector Collimator for Cree XP-E LED - Part No. 202



- Designed for Cree XP-E LED
- High light collection efficiency of >85%
- Precision moulded using POL's patent applied for metallised optical insert moulding technique with a polycarbonate frame construction for superior mechanical and thermal stability
- Also available for other Cree LED package types
- Part of the Polymer Optics "Modular LED Optics"<sup>®</sup> range

Polymer Optics "Modular LED Optics"<sup>®</sup> design, based on a hexagonal format, allows maximum packing density and assembly flexibility. Arrays of single colour or colour mixed cells can be easily constructed

The 202 Reflector Optic base is designed to locate into the PCB to align to the Cree XP-E LED package and the enclosed base allows the PCB surface to be potted, if required





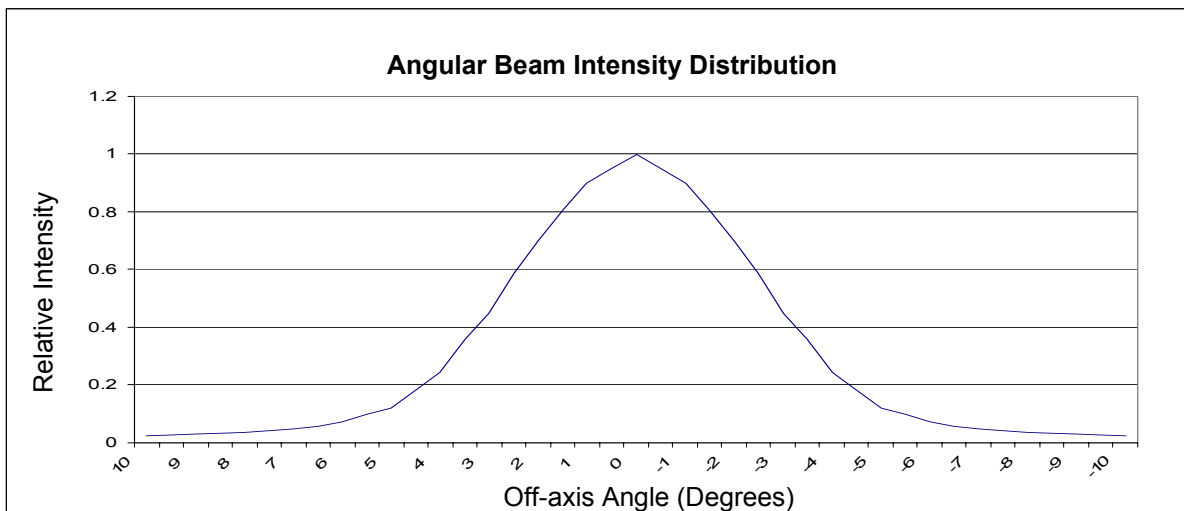
*Our Focus is in Plastics*

### 30mm 2.5 Deg Reflector Collimator for Cree XP-E LED - Part No. 202



The POL 202 optic's narrow, high intensity beam is ideal for demanding applications, such as:

- ✓ Mining and caving lamps
- ✓ Under water lamps and torches
- ✓ Architectural spot lights (single colour and RGB arrays)
- ✓ Theatrical lights and follow-spots (single colour and RGB arrays)
- ✓ High performance torches
- ✓ High level flood lights
- ✓ Street lights
- ✓ Medical lighting applications



Typical illuminance values using 100 lumen Cree XP-E LED = 41.8 cd/lumen			
Range	0.5m	1m	2m
Illuminance	16720 lux	4180 lux	1045 lux

Performance values given are typical values and will vary dependant on LED binning, colour and drive profile