

ROCKET-3 lenses for Cree XLamp® XR, XR-C & XR-E



- Designed for Cree XR-C and XR-E series of LEDs. Can be used with XR, too.
- Lens material optical grade PMMA with high UV and temperature resistance (105°C/220°F)
- High optical efficiency, >85%
- No lens holder. Fastening to heat sink with droplets of glue or by heat staking of legs
- Diameter 50 mm (MR16)
- Easy build of a complete luminaire using ROCKET-3, XLamp® and heat sink
- Mechanical CAD models available upon request
- All 3 lens types have the same outer dimensions.

LENS TYPES

NAME	ORDERING CODE	FWHM Angle, with XR-E
ROCKET-3 spot	ROCKET-3-S	±5°
ROCKET-3 medium	ROCKET-3-M	±10°
ROCKET-3 wide	ROCKET-3-W	±25°



ROCKET-3-S



ROCKET-3-M

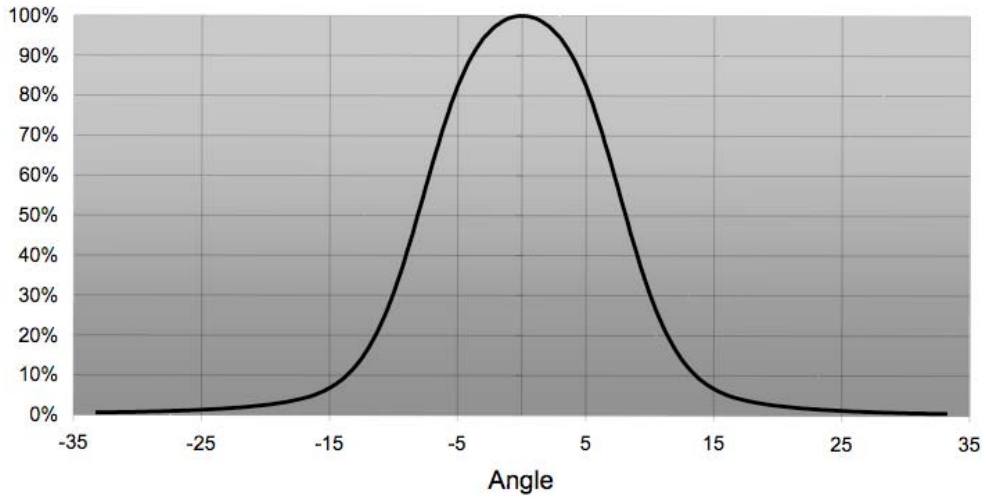


ROCKET-3-W

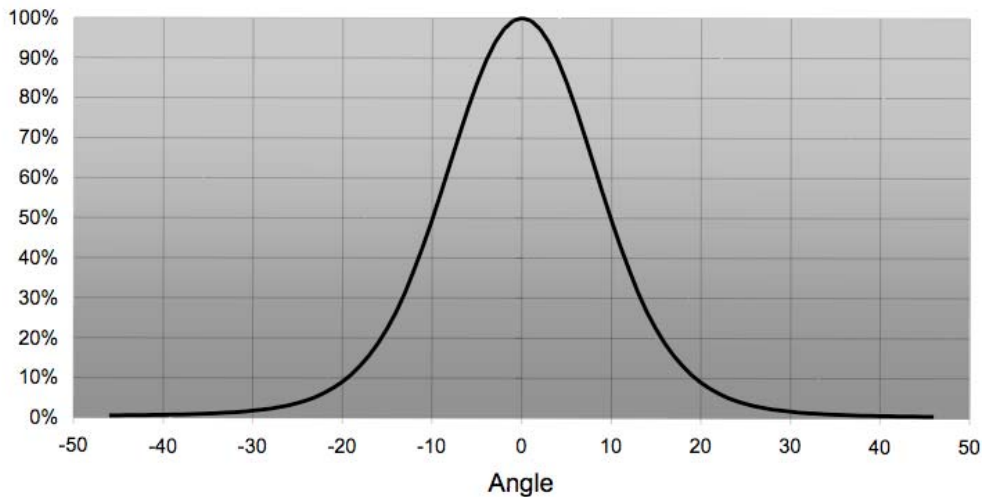
© Ledil Oy – PRELIMINARY - Subject to change without prior notice

MEASUREMENT DATA & PHOTOGRAPHS

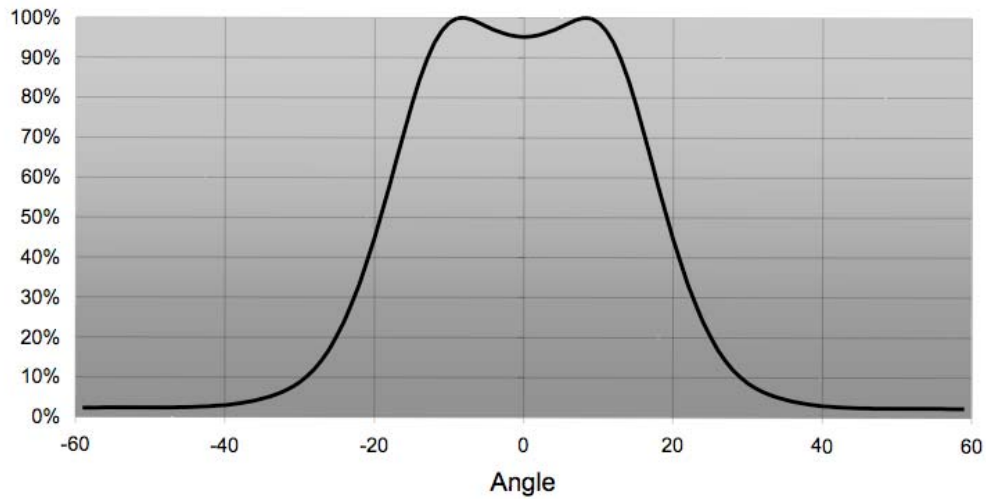
Relative intensity of ROCKET-3-S



Relative intensity of ROCKET-3-M



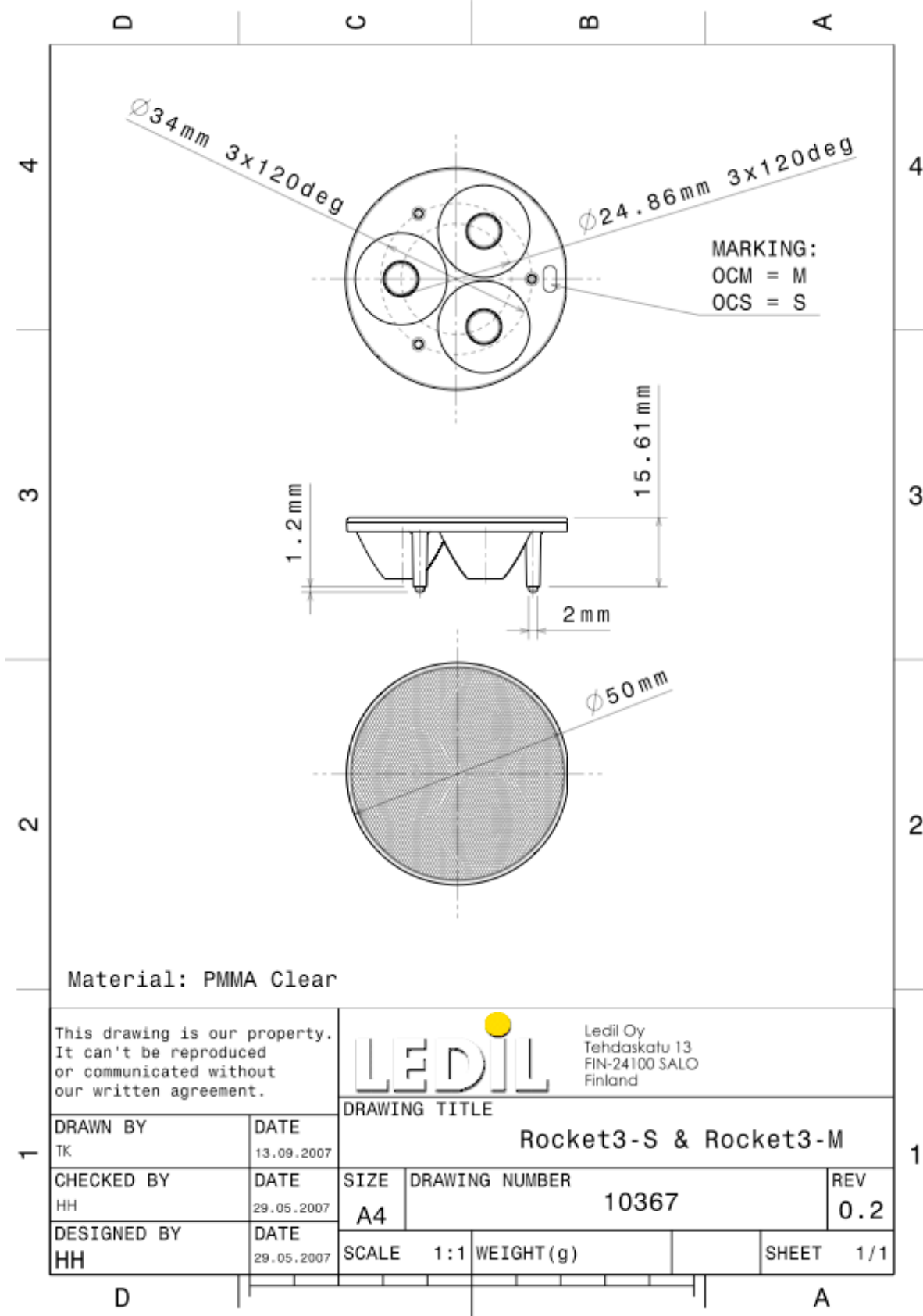
Relative intensity of ROCKET-3-W



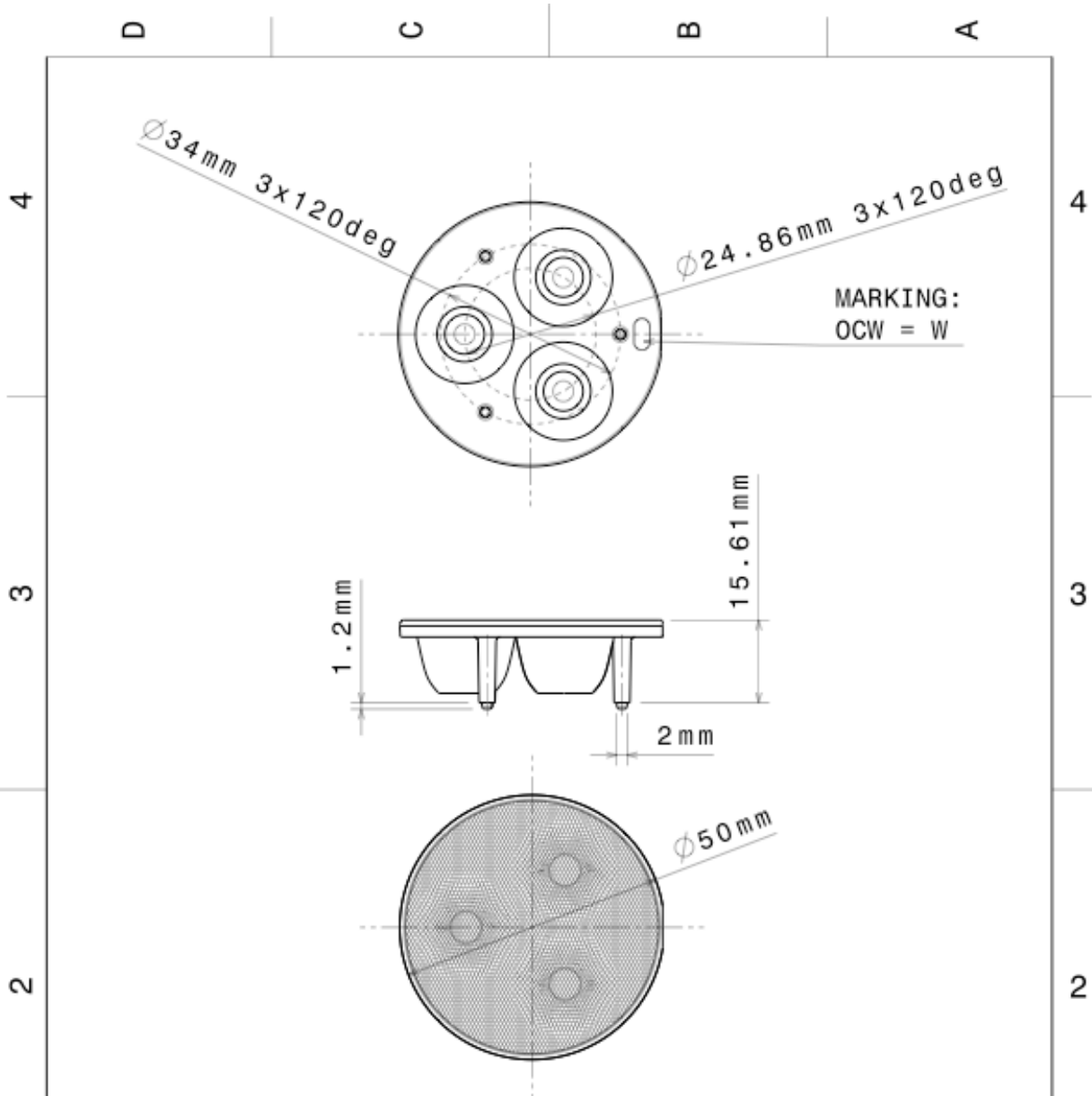
PACKAGING

Lenses are packed in carton boxes of 264 pieces in each box.

DRAWINGS



© Ledil Oy – PRELIMINARY - Subject to change without prior notice



Material: PMMA Clear

This drawing is our property. It can't be reproduced or communicated without our written agreement.

Ledil Oy
Tehdaskatu 13
FIN-24100 SALO
Finland

DRAWN BY TK		DATE 13.09.2007	DRAWING TITLE Rocket3-W		
CHECKED BY HH	DATE 29.05.2007	SIZE A4	DRAWING NUMBER 10365	REV 0.2	
DESIGNED BY HH	DATE 29.05.2007	SCALE 1:1	WEIGHT (g)	SHEET 1/1	