

CUTE-4 MR11 lenses for CREE XR-E LEDs



www.cree.com



- Specially designed for Cree XLAMP XR-E series of LEDs.
- Special care taken to make a uniform white or warm white illumination. Lenses work well with other colors, too.
- Lens material optical grade PMMA. Allows use of high current and temperature conditions
- Best available optical efficiency, up to 90%.

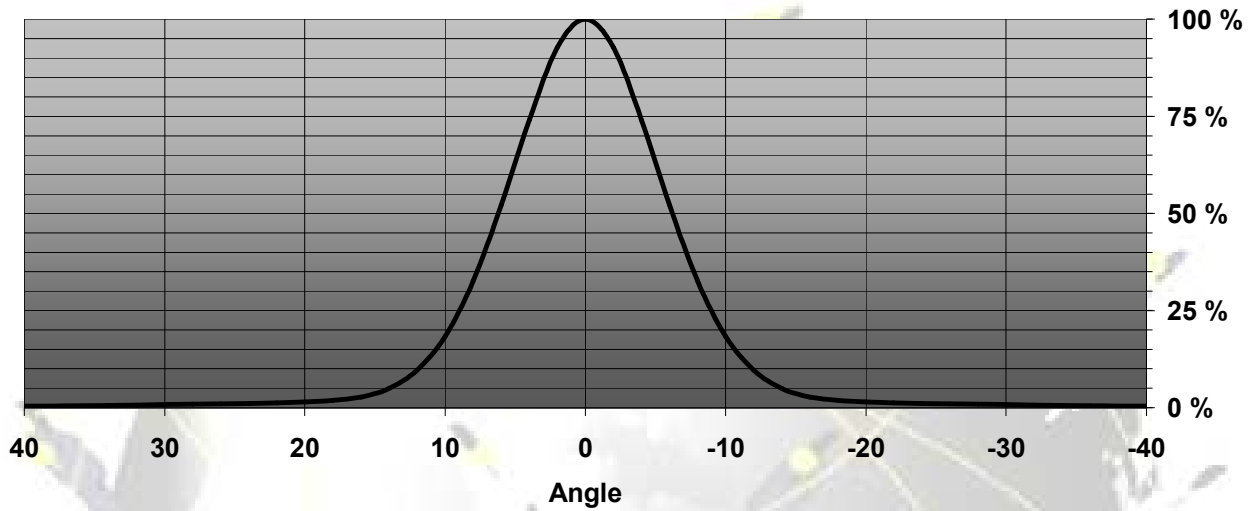
LENS TYPES

NAME	ORDERING CODE	PRELIMINATY DATA ON FWHM Angle
CUTE-4 SMOOTH SPOT	CUTE-4_SS	±6°
CUTE-4 MEDIUM	CUTE-4_M	±9°

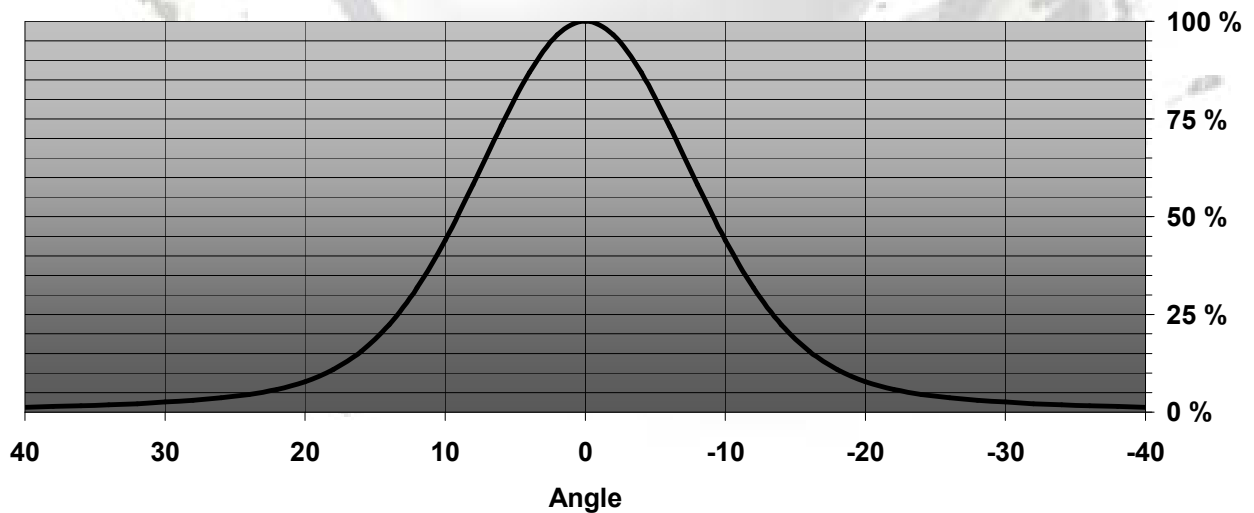
© Ledil Oy – PRELIMINARY - Subject to change without prior notice

MEASUREMENT DATA

Relative Intensity of CUTE-4-SS



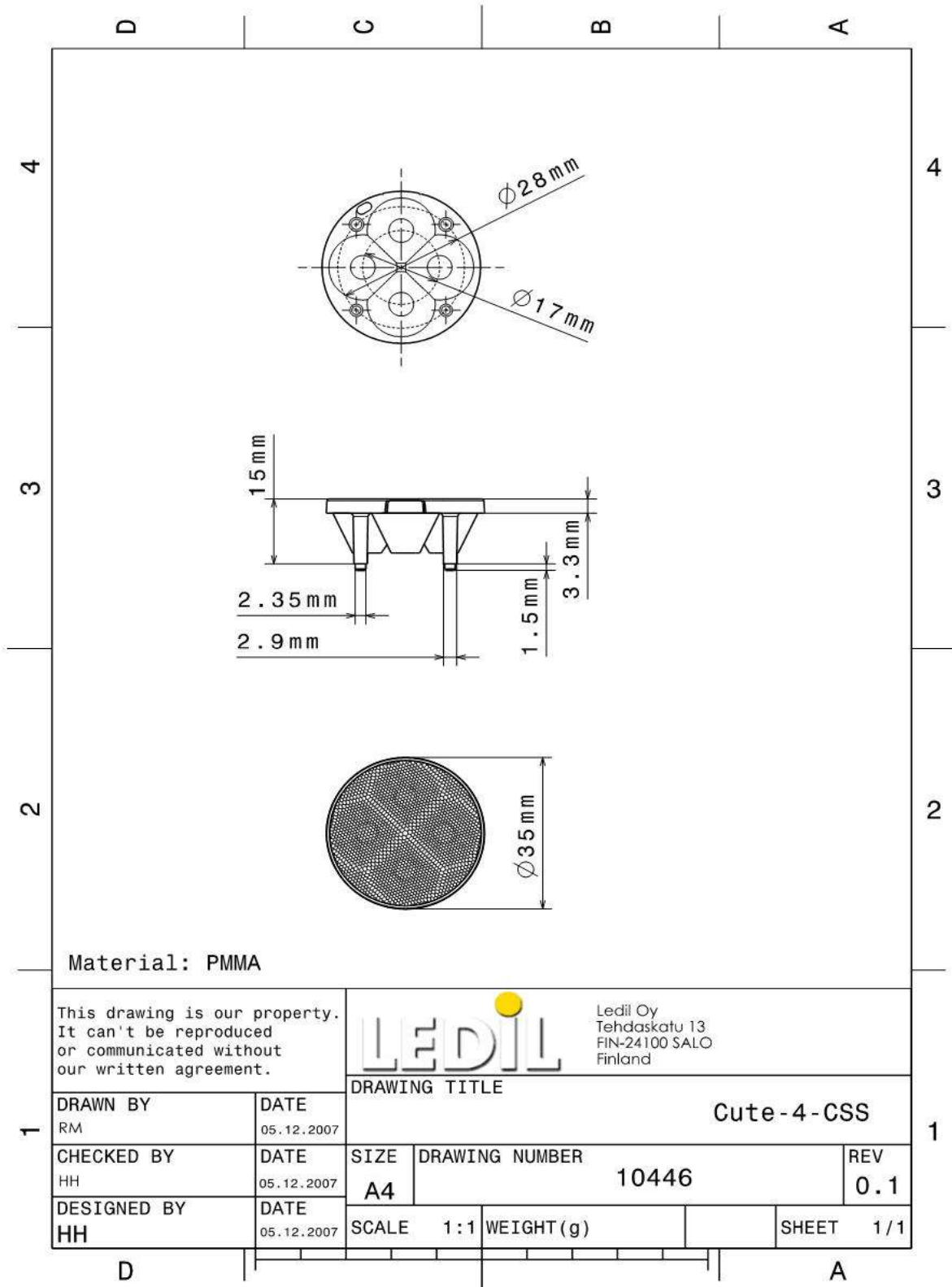
Relative Intensity of CUTE-4-M



EULUMDAT & IES FILES AVAILABLE BY REQUEST

© Ledil Oy – PRELIMINARY - Subject to change without prior notice

DRAWINGS



© Ledil Oy - PRELIMINARY - Subject to change without prior notice